



IW-20
in-wall docking system for iPod

By recognizing early-on the need for integrating audio and video content from the iPod® and iPod touch® into residential A/V systems, iPort created the industry standard for playback and control of iPod content. iPort is the only iPod and iPod touch solution that works seamlessly with a wide variety of single and multi-zone audio/video and home automation systems. iPort provides integrators the ultimate flexibility for including iPod and iPod touch as audio and video sources in their projects.

The iPort IW-20's RJ-45 modular connection delivers unbalanced audio up to 30 feet, for use with local-zone audio systems with their own volume control. The included audio wall plate provides stereo RCA audio connections and a connection point for the included regulated DC power supply. The IW-20 faceplate is designed to accept all Apple dock connector iPod models and includes a back support — a rubberized adjustment disc that compensates for the varying thicknesses of different iPod models.

iPort IW-20 Features

- Delivers local-zone unbalanced audio up to 30 feet (9 m) from the iPort. (Note: The audio system must supply volume control.)
- Regulated DC power supply charges the iPod/iPod touch while it is docked.
- Designed for easy docking/undocking of iPod
- Connects to wall plates with Cat5 cable via an RJ-45 connector
- Easy to install via Roto-Lock® mounting clamps
- Paintable flange

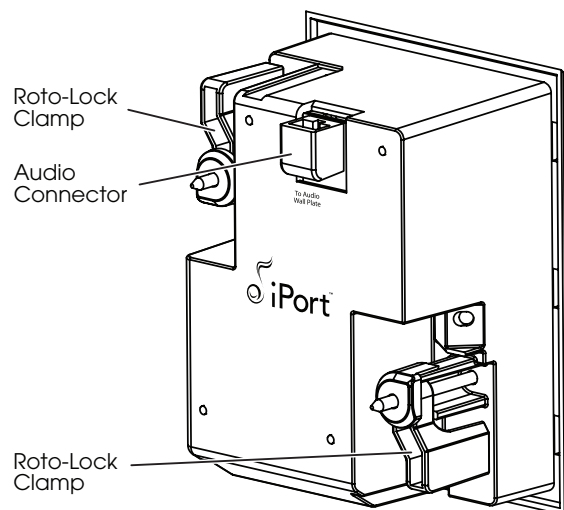
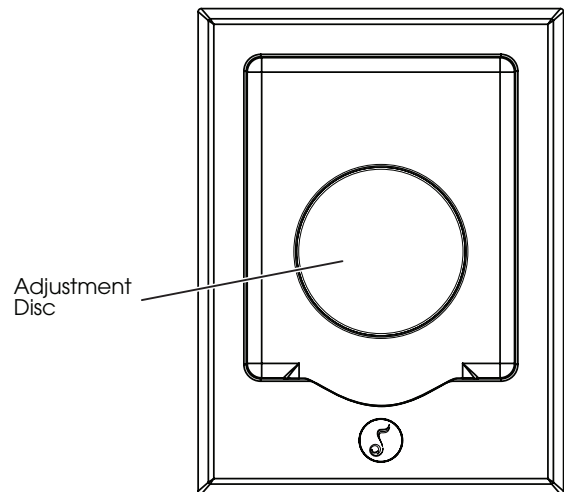
IW-20 Includes

- (1) iPort dock (faceplate and utility box)
- (1) Audio wall plate
- (1) Regulated power supply with USA plug

Compatibility

- 4th generation iPod and higher
- iPod touch 2nd generation
- iPod classic 120GB
- iPod nano
- iPod touch
- iPod features change often, for updated iPort compatibility please visit our website: iportmusic.com

Dimensions (W x H x D): 4 3/4" x 6 5/16" x 3 1/2" (121mm x 160mm x 89mm)
 Cut-Out Dimensions (W x H): 4" x 5 9/16" (102 mm x 141 mm)



iPort

212 Avenida Fabricante
 San Clemente, CA USA
 1.888.45.iPort
iportmusic.com

